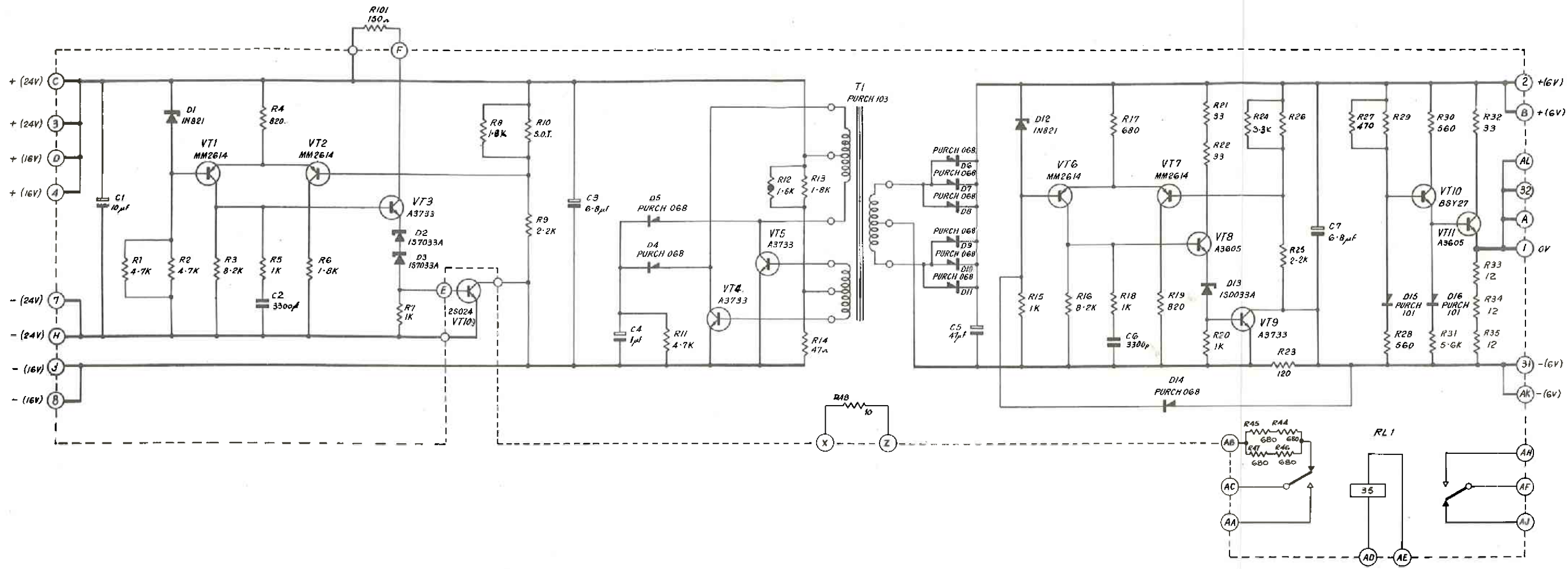


R	R1	R2	R3	R4 R5	R6	R7	R8	R10 R9	R11	R12	R13 R14	R18	R15	R16	R17 R18	R19	R21 R22 R20	R24 R26 R25	R27	R29	R30	R32 R33 R34 R35	R
C	C1	C2		C3		C4	C5		C6		C7		C										
MISC.	D1	VT1	VT2	VT3 D2 D3	VT12	VT13	VT14	D5 D4	VT6	VT5	T1	D6 D7 D8	D9 D10 D11	D2	VT6	VT7 D14	VT8 D15	VT9	D15	VT10 D16	VT11	MISC.	



NOTES: - 1) ALL PARTS LIST A3733 TRANSISTORS MOUNTED ON REDPOINT HEATSINKS. (40F)
 2) ALL RESISTORS F25 5% EXCEPT WHERE MARKED
 3) ALL COMPONENTS OUTSIDE DOTTED LINE ARE MOUNTED ON CHASSIS.

CIRCUIT DIAGRAM
 C-W BOARD
 9208 COMPUTER POWER SUPPLY
 (MILITARY PACK)

D2